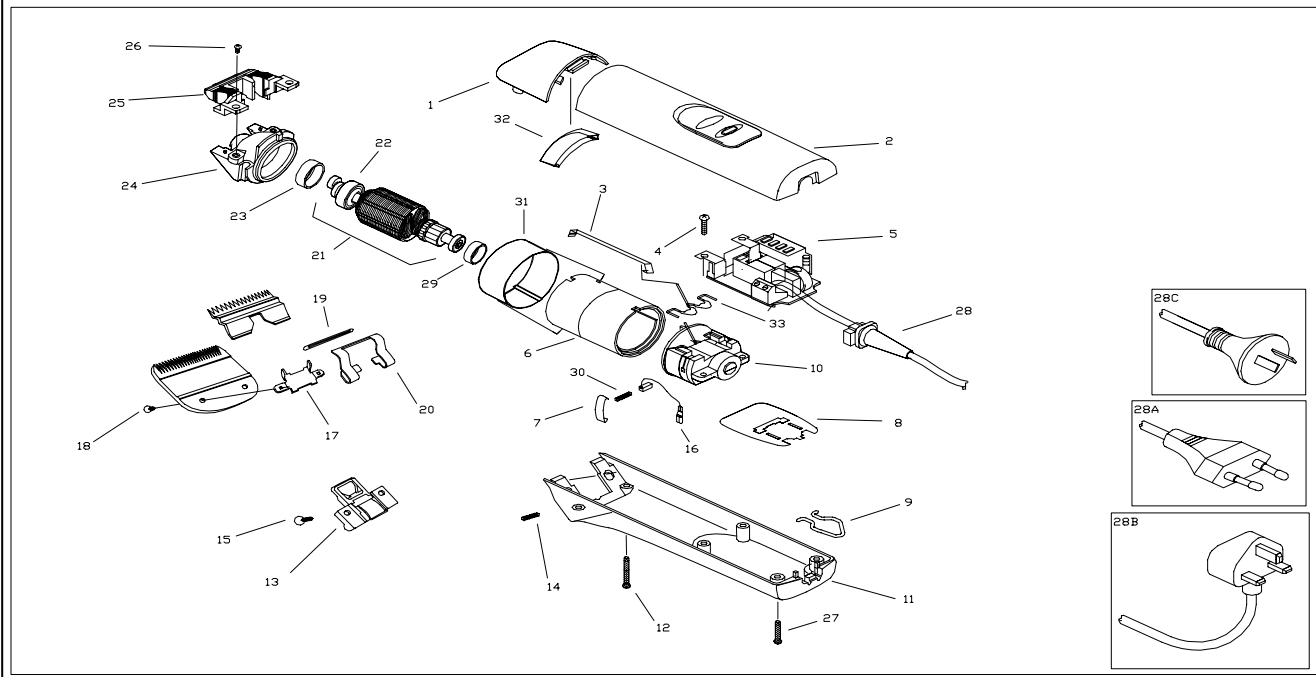


andis®

MODEL BGC2 CLIPPER 230/240 VOLT



ITEM NO.	PART NO.	DESCRIPTION	QTY. REQ'D
1	65267	Drive Cap - Black	1
2		Upper Housing Assembly - Black (Includes Upper Housing, switch Actuator, switch button, and switch button lock)	
2a	22961	Upper Housing Assembly	1
2b	23878	Upper Housing Assembly (To be used with circuit board 63143)	1
3	27198	Motor Frame Clip	1
4	65828	Screw	2
5		Circuit Board	
5a	63143	Circuit Board - Orange Switch Buttons (To be used with Upper Housing Assembly 23878)	1
5b	----	Circuit Board - White Switch Buttons (Must be replaced with circuit board 63143 and Upper Housing Assembly 23878)	*
6	27352	Field Assembly	1
7	65805	Brush Retaining Clip	2
8	65829	Insulator	1
9		Hanger Bail	
9a	22267	(for units after 7/3/03)	1
9b	25061	(for units before 7/3/03)	1
10	64945	Rear Motor Frame	1
11		Lower Housing	
11a	65232	Lower Housing (CE 230V) Black	1
11b	65229	Lower Housing (BS 240V) Black	1
11c	65231	Lower Housing (SAA 240V) Black	1

ITEM NO.	PART NO.	DESCRIPTION	QTY. REQ'D
12	64606	Front Housing Screw	2
13		Hinge Assembly	
13a	S21743	Hinge Assembly	1
13b	S27091	Hinge Assembly (Oster 10,22,111)	1
14	22909	Blade Retaining Spring	1
15	27861	Blade Hinge Screw	2
16	27847	Carbon Brush With Shunt	2
17	64003	Blade Bracket	1
18	64139	Blade Screw	2
19	64027	Blade Guide	1
20	64013	Tension Spring	1
21	21977	Armature Assy (w/ Plastic Cam)	1
22	27854	Plastic Cam & Bearing Assy.	1
23	21068	Large Bearing Cup	1
24	65013	Front Motor Frame	1
25	S20651	Blade Drive Assembly	1
26	15766	Blade Drive Screw	2
27	22086	Rear Housing Screw	2
28		Cord Set	
28a	65033	Cord Set (230V CE)	1
28b	65803	Cord Set (240V BS)	1
28c	64778	Cord Set (240V SAA)	1
29	21067	Small Bearing Cup	1
30	65806	Brush Spring	2
31	64991	Oil Seal	1
32	17091	Self-Adhesive Foam Pad	1
33	22686	RFI Capacitor Assembly	1

* This part is only servicable by replacing with circuit board 63143 (5a) and Upper Housing Assembly 23878 (2b)

IMPORTANT INFORMATION

When ordering repair parts, include part number, part name and model of trimmer. For best performance, trimmer blades should be CLEANED and OILED with Andis Clipper Oil before and after use. If repair is necessary, return to any Andis Authorized Repair Service Station, or to Andis Company, 1800 Renaissance Blvd., Sturtevant, Wisconsin, 53177 U.S.A.. Pack carefully, mail either Insured Parcel Post, or U.P.S., attach a letter to outside of package explaining difficulty.

FORM 12692 Rev-G.xls

SERVICE CENTER